

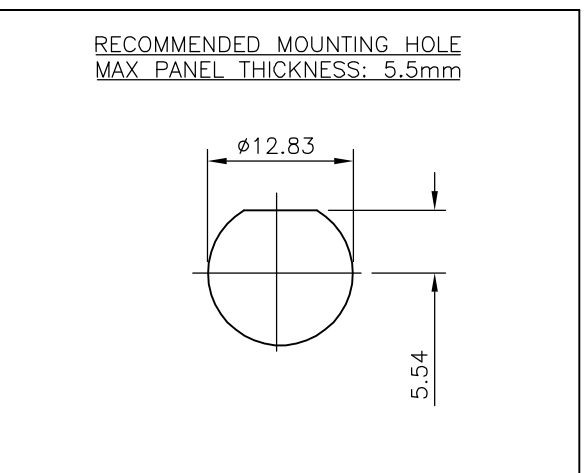
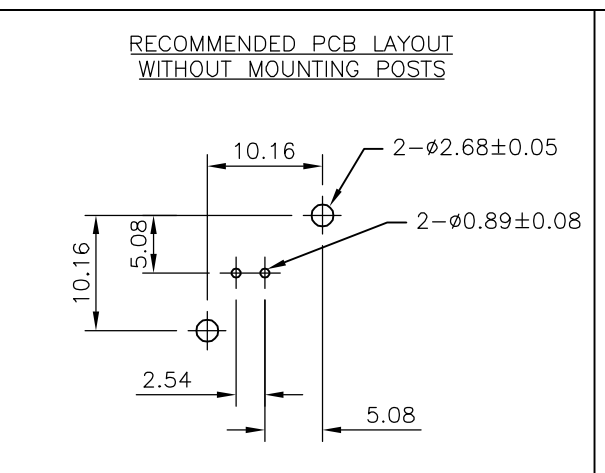
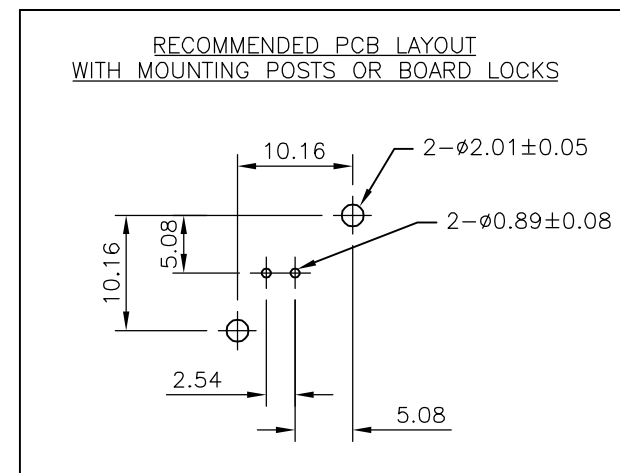
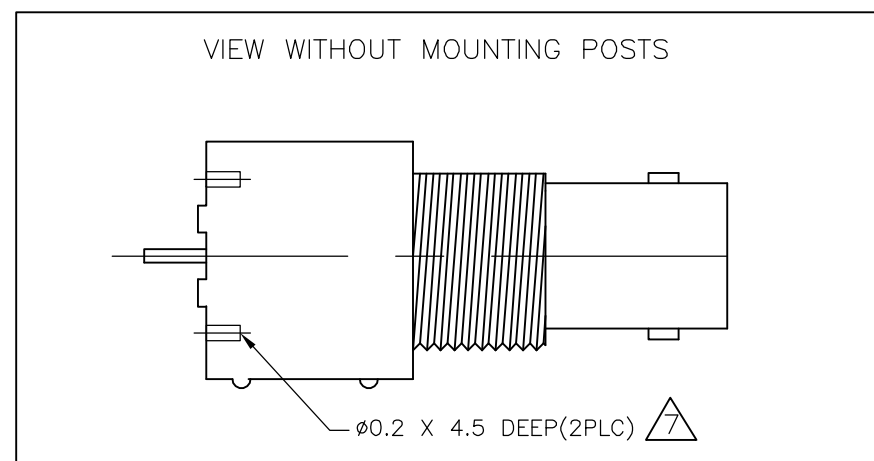
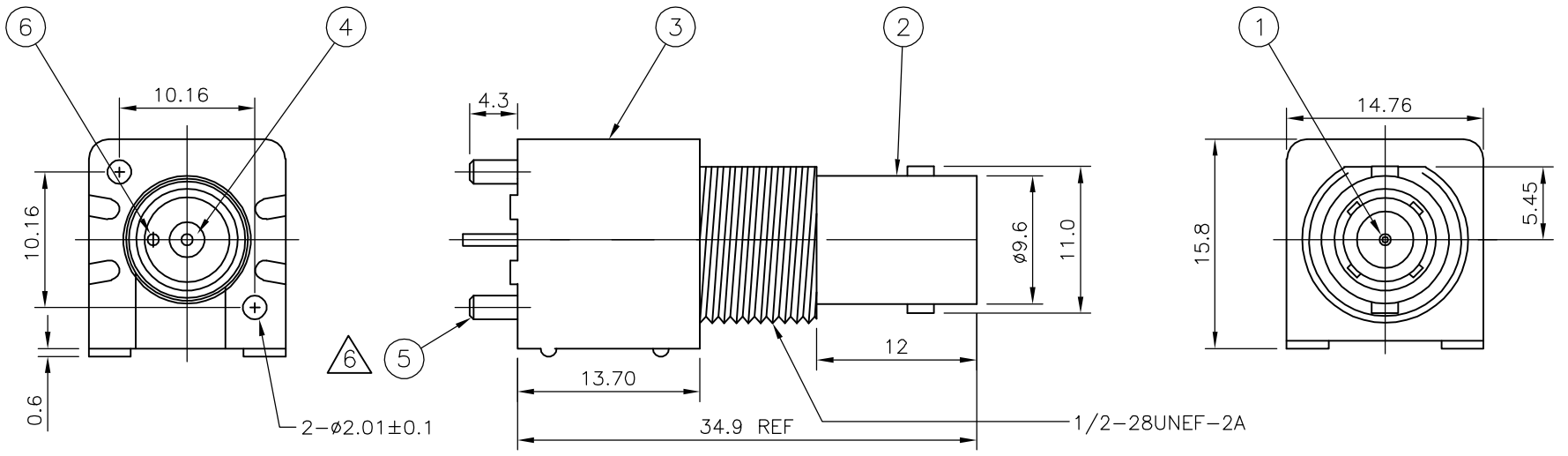
THIS DRAWING IS UNPUBLISHED. RELEASED FOR PUBLICATION AUGUST, 2005.
 © COPYRIGHT 2005 BY TYCO ELECTRONICS CORPORATION. ALL RIGHTS RESERVED.

LOC	DIST	P	LTR	DESCRIPTION	DATE	DWN	APVD
E	B		B	ECR-05-006587	09AUG05	JMS	FWK

- NOTES:
- 1. SINGLE PACK IN ACCORDANCE WITH AMP SPEC 107-3275
 - 2. 50 TRAY PACK IN ACCORDANCE WITH AMP SPEC 107-3275
 - 3. Au PLATING OVER Ni PLATING OVER Cu PLATING
 - 4. Ni PLATING OVER Cu PLATING
 - 5. TIN PLATING
 - 6. MOUNTING POSTS ARE OPTIONAL SEE TABLE FOR PART NUMBERS
 - 7. RECOMMENDED SELF-TAPPING SCREW 221108-4
 - 8. RECOMMENDED MOUNT NUT 1-1634816-0
 - 9. RECOMMENDED LOCKWASHER 1-1634817-0
 - 10. CHARACTERISTICS

FREQUENCY RANGE:	DC-2GHz
NOMINAL IMPEDANCE:	75 OHMS
WORKING VOLTAGE:	500V RMS
INSULATION RESISTANCE:	5000 MOHMS
DIELECTRIC WITHSTAND VOLTAGE:	1500V RMS
CONTACT RESISTANCE:	
CENTRE CONTACT	1.5 mOHMS
OUTER CONTACT	0.2 mOHMS
 - 11. MECHANICAL CHARACTERISTICS

DURABILITY:	50 CYCLES
-------------	-----------
 - 12. FOR TECHNICAL DATA REFER TO YOUR LOCAL TYCO ELECTRONICS SALES OFFICE
 - 13. ALL DIMENSIONS ARE NOMINAL FOR REFERENCE ONLY UNLESS OTHERWISE STATED



QTY	1	1	1	1	MATERIAL	DESCRIPTION	ITEM
	1	1	1	1	BRASS	SOLDER TAIL	6
	-	-	2	2	BRASS	MOUNTING POST	5
	1	1	1	1	PE-606	INSULATOR	4
	1	1	1	1	PBT WHITE	HOUSING	3
	1	1	1	1	ZINC ALLOY	BODY	2
	1	1	1	1	BRASS	CONTACT	1
	6--1	1--1	6--0	1--0	MATERIAL	DESCRIPTION	ITEM
	2	1	2	1			

QUANTITY PER ASSY PARTS LIST

THIS DRAWING IS A CONTROLLED DOCUMENT.

DIMENSIONS: mm	TOLERANCES UNLESS OTHERWISE SPECIFIED:	DWN J.SANDWELL 09AUG05	tyco Tyco Electronics Corporation Bideford, UK, EX39 4HE
	0 PLC \pm - 1 PLC \pm - 2 PLC \pm - 3 PLC \pm - 4 PLC \pm - ANGLES \pm -	CHK S.PARLOW 09AUG05	
MATERIAL SEE TABLE	FINISH SEE TABLE	APVD F.WHEELER-KING 09AUG05	NAME
		PRODUCT SPEC 108-3435	BNC STRAIGHT INSULATED PCB SOCKET 75 OHM WHITE
		APPLICATION SPEC N/A	SIZE CAGE CODE DRAWING NO RESTRICTED TO
		WEIGHT -	A3 00779 C-1478033
CUSTOMER DRAWING			SCALE NTS SHEET 1 OF 1 REV B